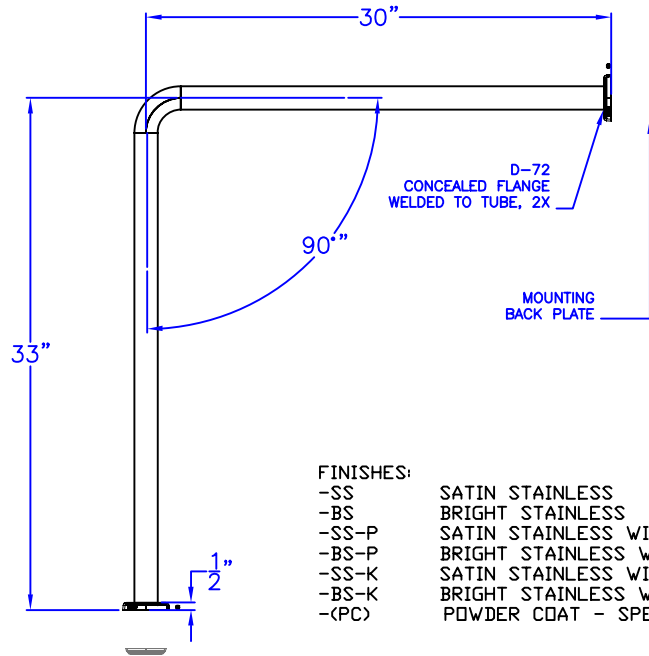




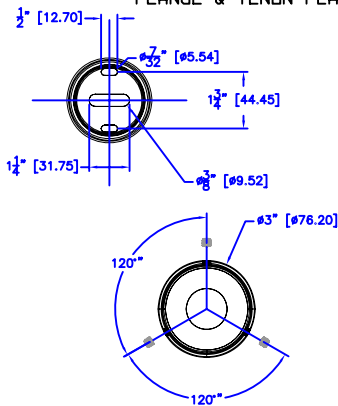
Technical Data

D-7230-XX

WALL TO FLOOR GRAB BAR 1 1/2"



FLANGE & TENDON PLATE DETAIL



- FINISHES:
- SS SATIN STAINLESS
 - BS BRIGHT STAINLESS
 - SS-P SATIN STAINLESS WITH PEEN SAFETY GRIP
 - BS-P BRIGHT STAINLESS WITH PEEN SAFETY GRIP
 - SS-K SATIN STAINLESS WITH KNURL SAFETY GRIP
 - BS-K BRIGHT STAINLESS WITH KNURL SAFETY GRIP
 - (PC) POWDER COAT - SPECIFY COLOR

PEEN AND KNURL GRIPS WILL BE APPLIED TO 30" STRAIGHT SECTION OF GRAB BAR ONLY.

Construction:

- TUBING: 1 1/2" X 18 GAUGE, TYPE 304 STAINLESS STEEL. MANDREL BENT TUBE ENDS PASS THROUGH FLANGES AND ARE TIG WELDED TO FORM A SINGLE STRUCTURE UNIT. WALL CLEARANCE IS 1 1/2".
- FLANGES: 11 GAUGE X 3" DIAMETER TYPE 304 STAINLESS STEEL WITH 3 SET SCREWS FOR ATTACHING TO TENDON PLATE.
- TENDON PLATE: 11 GAUGE GALVANIZED STEEL WITH SLOTTED HOLES FOR MOUNTING TO WALL
- SET SCREWS: 1/4"-20 X 1/4" CONE POINT STAINLESS STEEL SOCKET HEAD

STRENGTH:

BREY-KRAUSE GRAB BARS MEET AND EXCEED ADA LOAD REQUIREMENTS OF 250 POUNDS WHEN PROPERLY INSTALLED.

CAUTION: A GRAB BAR IS ONLY AS STRONG AS THE ANCHORING DEVICES AND THE WALL/FLOOR ON WHICH IT IS MOUNTED TO.

Installation:

SECURE GRAB BAR TO WALL AND FLOOR WHERE ADEQUATE IN-WALL/FLOOR BACKING EXISTS. USE GRAB BAR AS TEMPLATE TO LOCATE MOUNTING HOLES ON TENDON PLATE. DRILL HOLES AND MOUNT TENDON PLATE. MOUNT GRAB BAR TO WALL AND FLOOR BY FASTENING SET SCREWS TO TENDON PLATE. GRAB BAR MOUNTING KITS ARE AVAILABLE.

Guide Specification:

WALL TO FLOOR GRAB BAR IS FABRICATED OF 304 STAINLESS STEEL WITH CONCEALED MOUNTING FLANGES AND TENDON PLATE IN SIZE AND CONFIGURATION INDICATED.